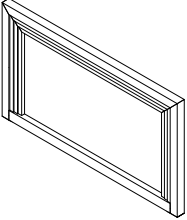
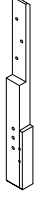
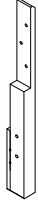
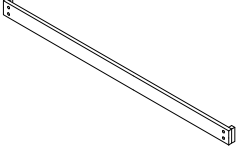
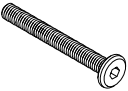





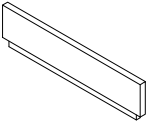
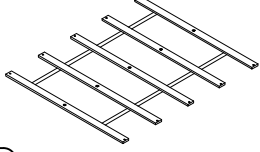

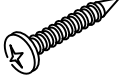
**Warning :**

- Be sure to check all packing material carefully for small parts, which may have come loose inside the carton during shipment.
- To prevent possible scratches and damage, this furniture **MUST BE ASSEMBLED BY TWO PEOPLE** on a soft surface such as a blanket or carpet.

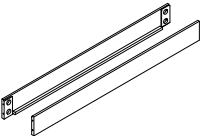

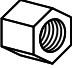


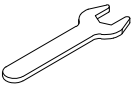

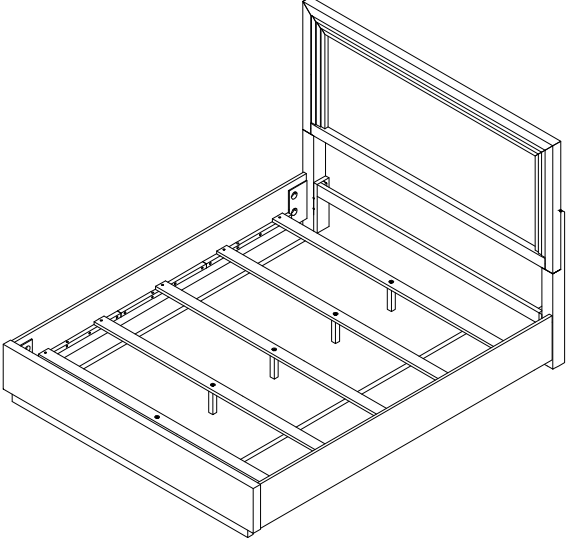
**Hardware and Parts packed with the Headboard**

<p>Full Panel Headboard - 73435</p>  <p>(H-A) 1 PC.</p>	<p>Left Leg</p>  <p>(H-B) 1 PC.</p>	<p>Right Leg</p>  <p>(H-C) 1 PC.</p>	<p>Headboard Stretcher</p>  <p>(H-D) 1 PC.</p>
<p>Allen Head Bolt Ø5/16"-18 x 1-3/4"</p>  <p>(H-E) 8 PCS.</p>	<p>Flat Washer Ø5/16" x Ø19mm</p>  <p>(H-F) 8 PCS.</p>	<p>Spring Washer Ø5/16"</p>  <p>(H-G) 8 PCS.</p>	<p>Allen key 5mm</p>  <p>(H-H) 1 PC.</p>

**Hardware and Parts packed with the Footboard**

<p>Full Panel Footboard - 73436</p>  <p>(F-A) 1 PC.</p>	<p>Wood Slat (54-3/4"x2-3/4"x3/4")</p>  <p>(F-B) 1 Set (5 pcs.)</p>	<p>Support leg (1"x1"x6")</p>  <p>(F-C) 5 PCS.</p>	<p>Screw #8x1"</p>  <p>(F-D) 10 PCS.</p>
--	--	---	---

**Hardware and Parts packed with the Bed Rails**

<p>Twin/Full Bed Rails - 73427</p>  <p>(R-A) 2 PCS.</p>	<p>Thread Bolt Ø5/16"-18 x 4-1/2"</p>  <p>(R-B) 8 PCS.</p>	<p>Hex Nut Ø5/16" x 12mm</p>  <p>(R-C) 8 PCS.</p>	<p>Spring Washer Ø5/16"</p>  <p>(R-D) 8 PCS.</p>	<p>Curved Washer Ø5/16"</p>  <p>(R-E) 8 PCS.</p>
<p>12 mm Open Wrench</p>  <p>(R-F) 1 PC.</p>	<p>Tool Required (not provided) Phillips Screwdriver</p>  <p>1 PC.</p>			

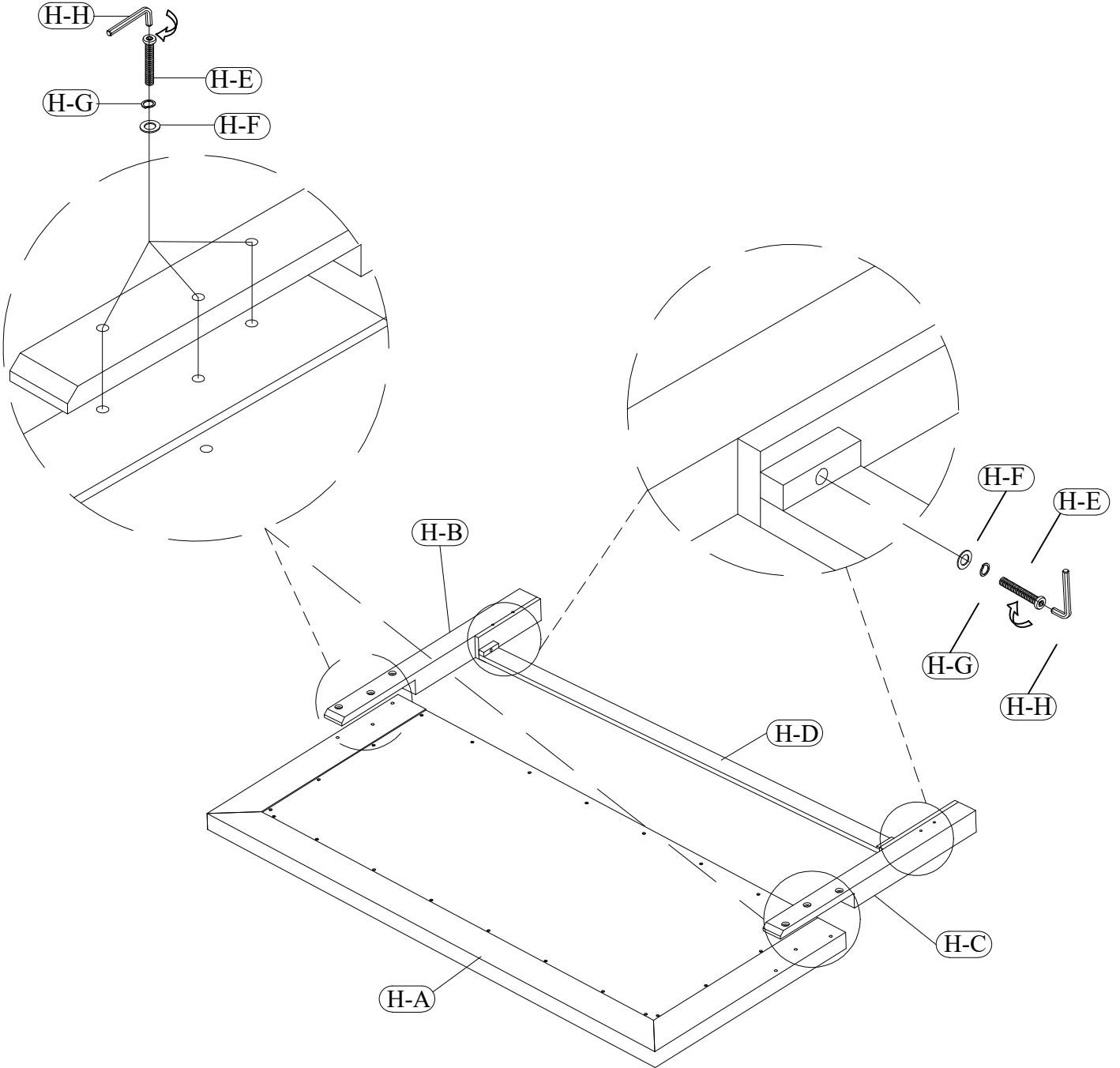
Queen Bed

73435--4/6 Full Illuminted Panel Headboard

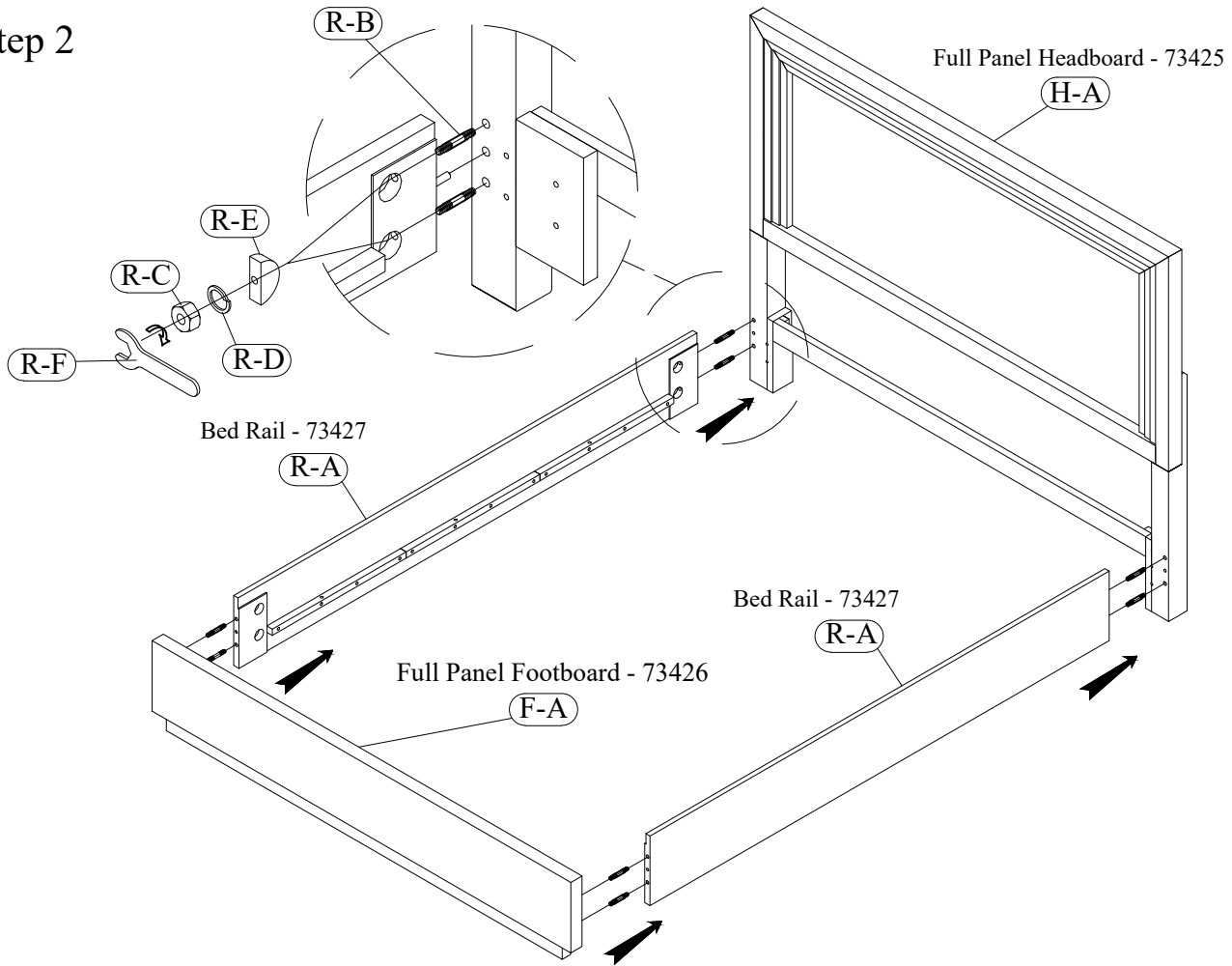
73436--4/6 Full Panel Footboard

73427--3/3-4/6 Twin and Full Rails

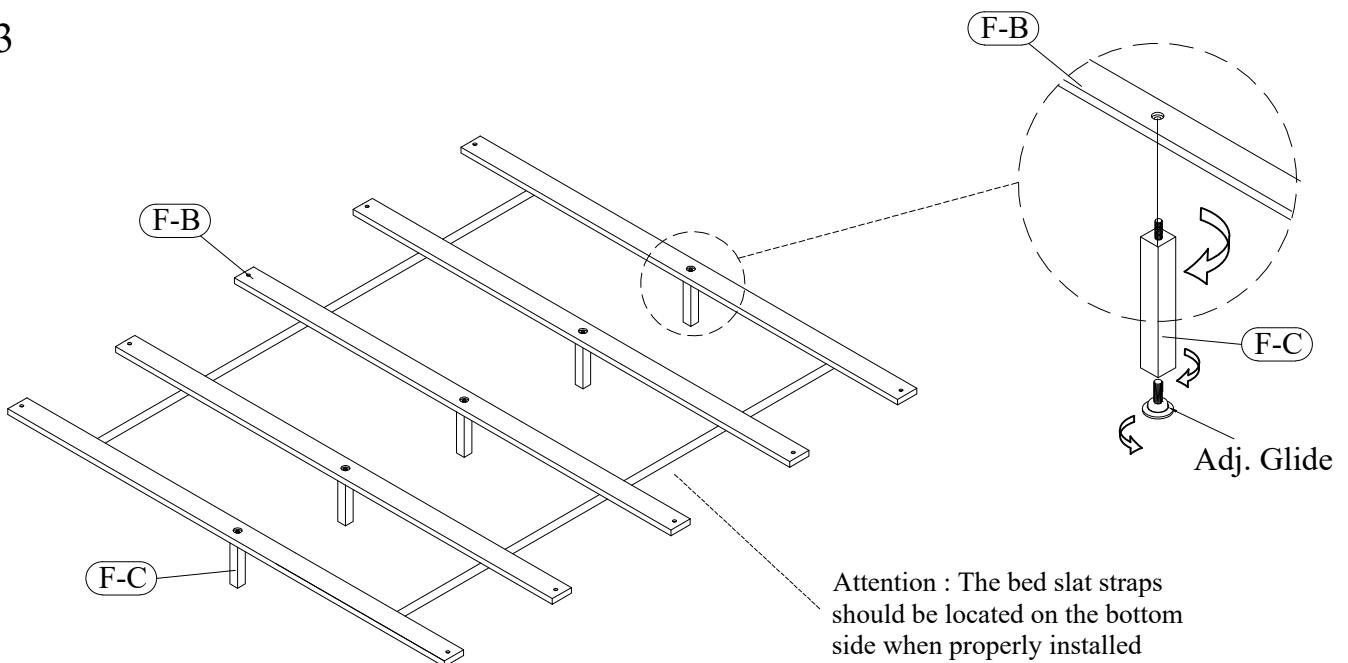
Step 1



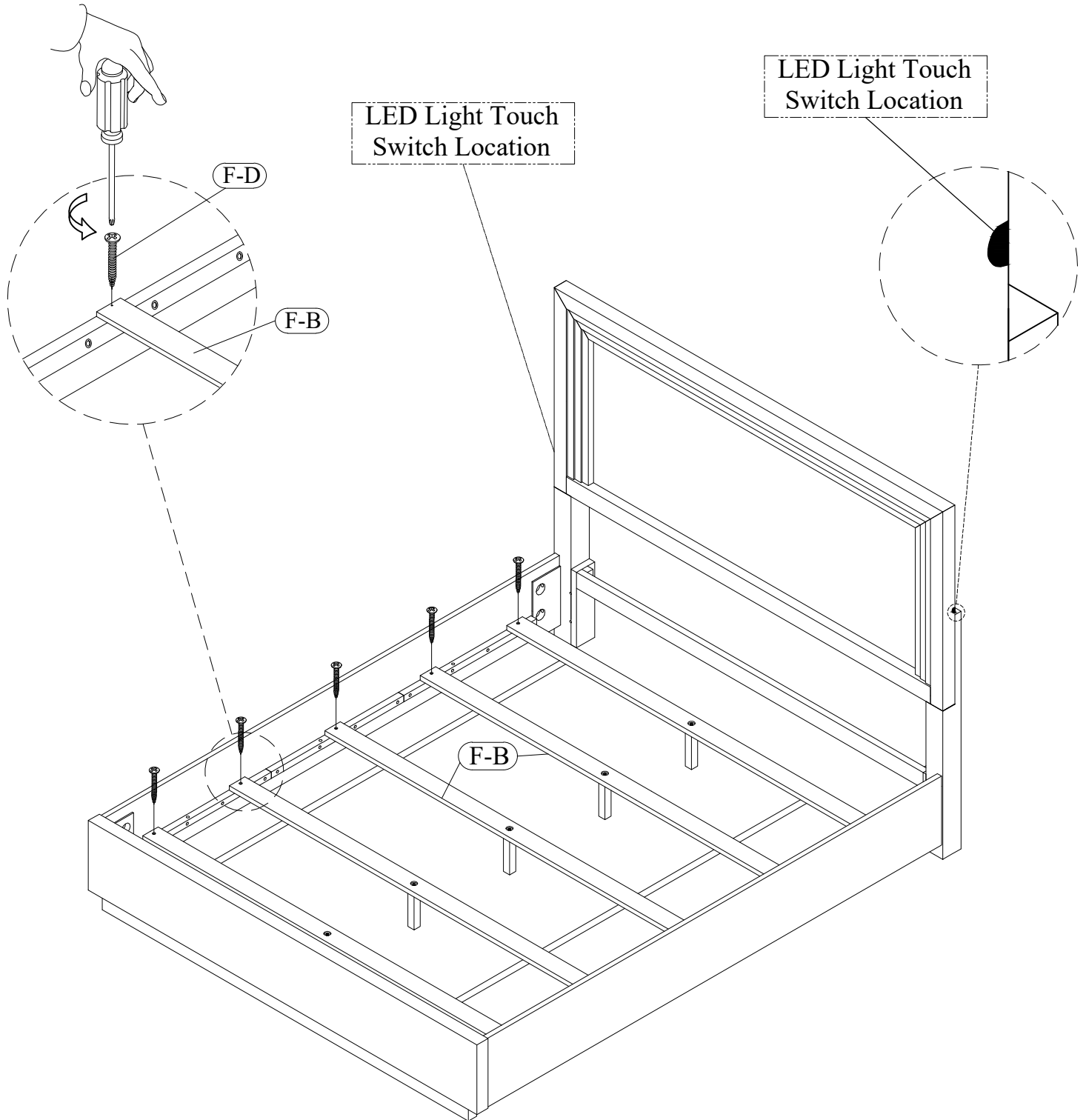
Step 2

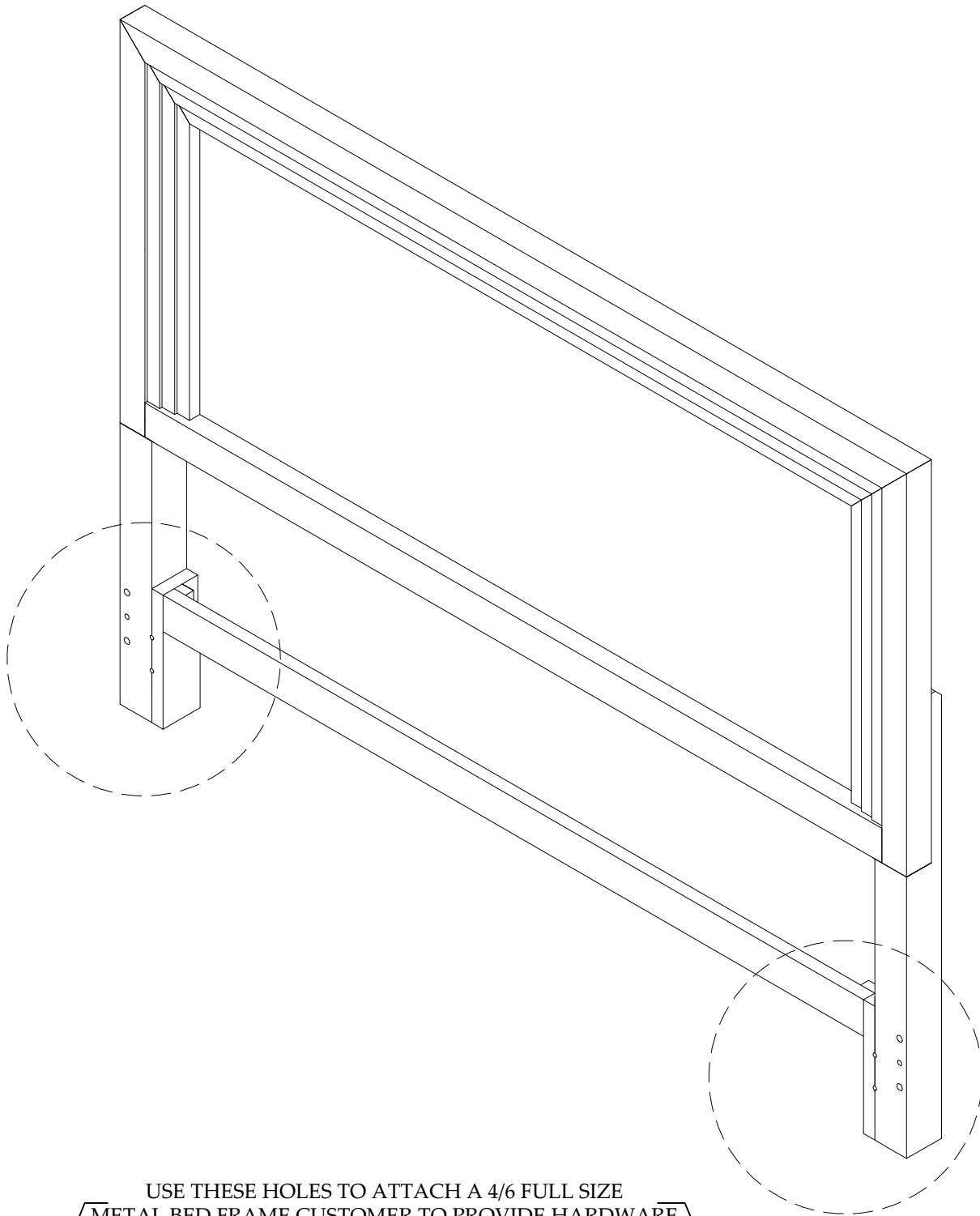


Step 3

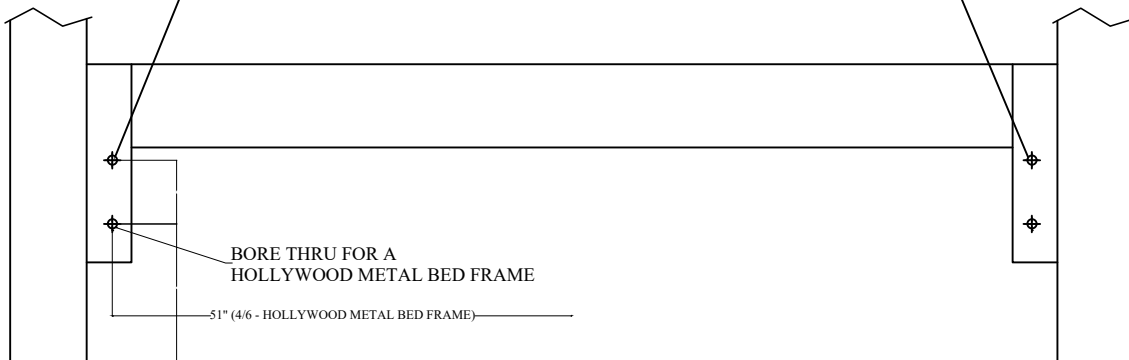


Step 4





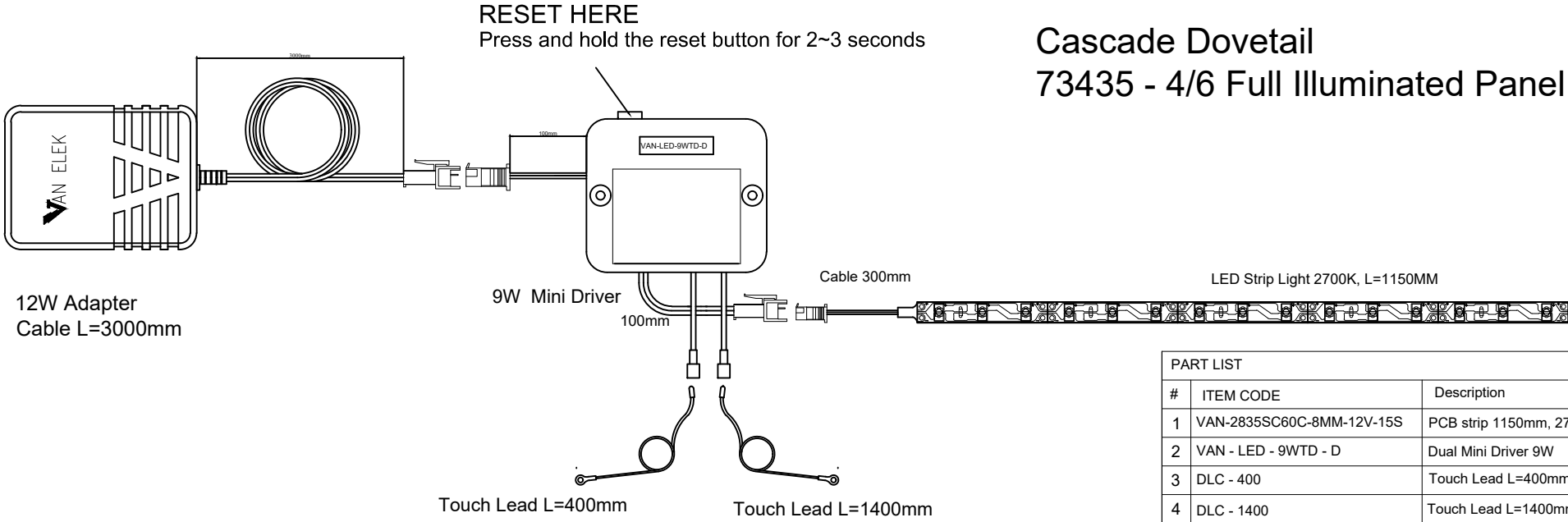
USE THESE HOLES TO ATTACH A 4/6 FULL SIZE  
METAL BED FRAME CUSTOMER TO PROVIDE HARDWARE



BORE THRU FOR A  
HOLLYWOOD METAL BED FRAME

51" (4/6 - HOLLYWOOD METAL BED FRAME)

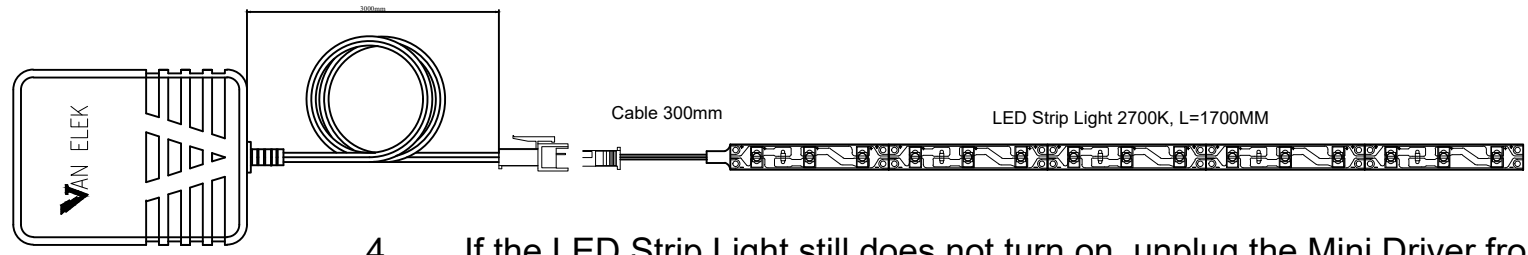
# Cascade Dovetail 73435 - 4/6 Full Illuminated Panel Headboard



PART LIST			
#	ITEM CODE	Description	QTY
1	VAN-2835SC60C-8MM-12V-15S	PCB strip 1150mm, 2700K and cable 300mm	1pc
2	VAN - LED - 9WTD - D	Dual Mini Driver 9W	1pc
3	DLC - 400	Touch Lead L=400mm	1pc
4	DLC - 1400	Touch Lead L=1400mm	1pc
5	VAN - USAD - 1212 - F -AJC	12W Adapter, Cable L=3000mm	1pc

Electronic trouble shooting tips if LED light does not turn on.

1. Inspect wiring for any signs of cut wires or loose connections.
2. To make sure all connections are securely fastened, disconnect and then reconnect all connections.
3. Press and hold reset button located on the top edge of Mini Driver for 2-3 seconds.



4. If the LED Strip Light still does not turn on, unplug the Mini Driver from Adapter, unplug the LED Strip Light from the Mini Driver, then directly connect the LED strip light connection to the Adapter.
5. If the LED Strip Light turns on, **the Mini Driver must be replaced.**